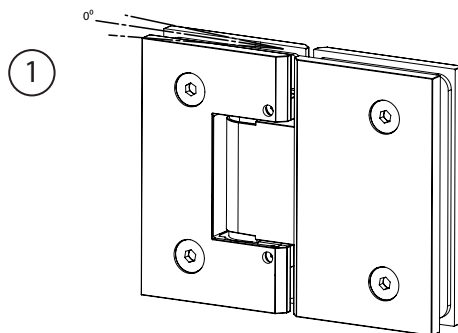
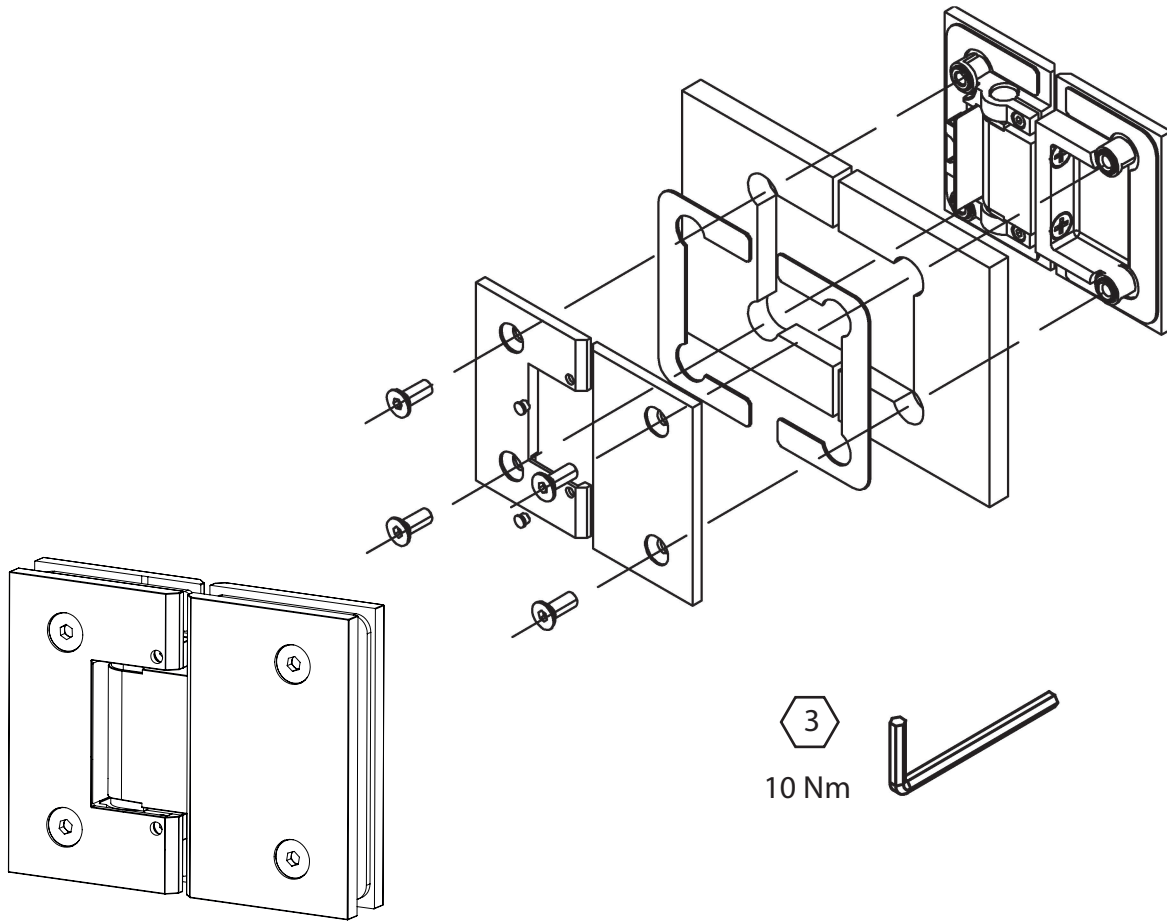
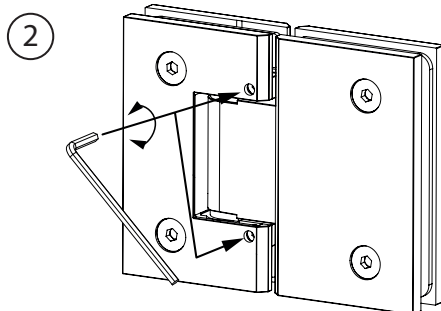


# DK-24 180° GLASS/GLASS



Adjust the glass door upon installation to the desired angle



Tighten the set screws to fix the hinge to the desired angle



18 kg, pr. hinge



Glass thickness 6 - 10 mm